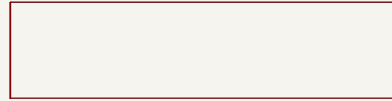
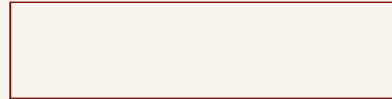


Analog IO



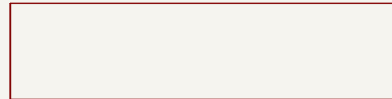
File: analog_io.kicad_sch

Power regulation



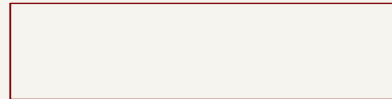
File: power_regulation.kicad_sch

Board connectors



File: board_connectors.kicad_sch

User IO



File: user_io.kicad_sch

Released under the CERN Open Hardware Licence Version 2 – Strongly Reciprocal

bitgloo

Sheet: /

File: DSP PAW add-on board.kicad_sch

Title: DSP PAW add-on board

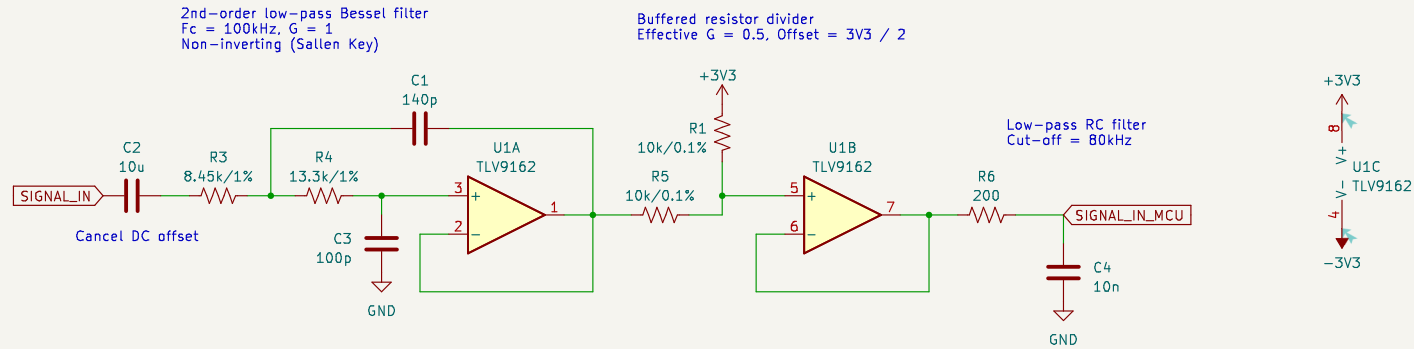
Size: A4 Date: 2023-09-23

KiCad E.D.A. kicad 7.0.6+dfsg-1

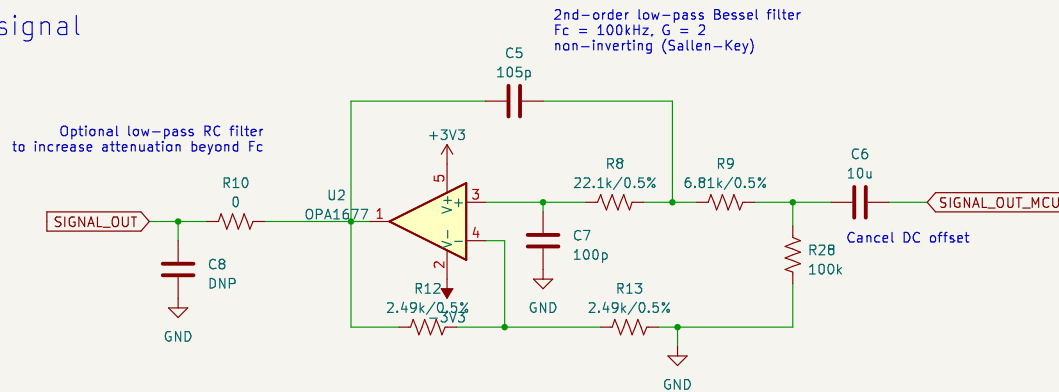
Rev: 2

Id: 1/5

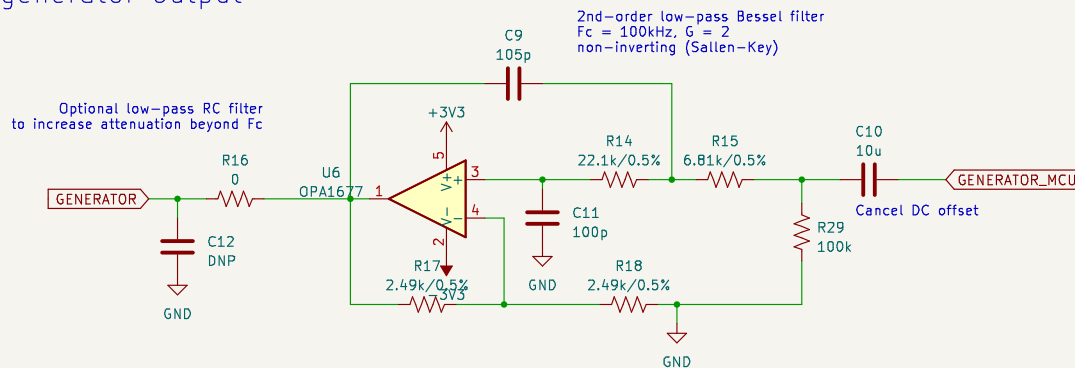
Input signal



Output signal



Signal generator output



Released under the CERN Open Hardware Licence Version 2 – Strongly Reciprocal
bitgloo

Sheet: /Analog IO/
 File: analog_io.kicad_sch

Title: DSP PAW add-on board

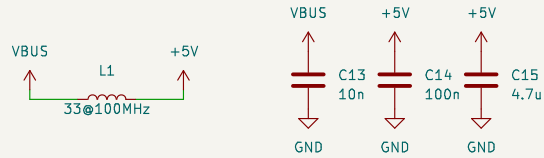
Size: A4 Date: 2023-09-23

KiCad E.D.A. kicad 7.0.6+dfsg-1

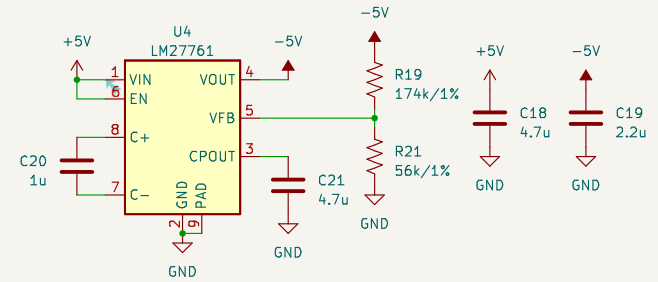
Rev: 2

Id: 2/5

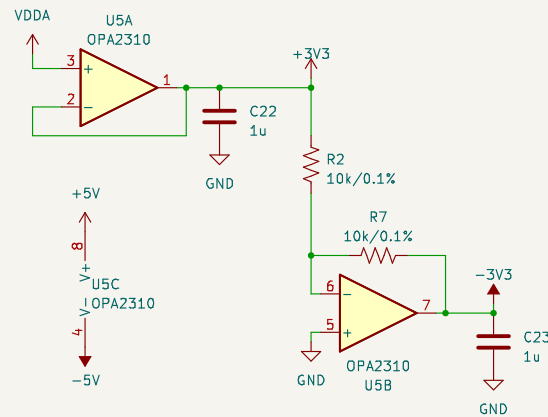
Noise filtering for +5V from VBUS



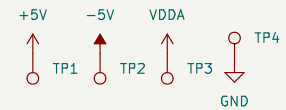
+5V inverter



Analog voltage reference



Supply test points



Released under the CERN Open Hardware Licence Version 2 – Strongly Reciprocal
bitgloo

Sheet: /Power regulation/
 File: power_regulation.kicad_sch

Title: DSP PAW add-on board

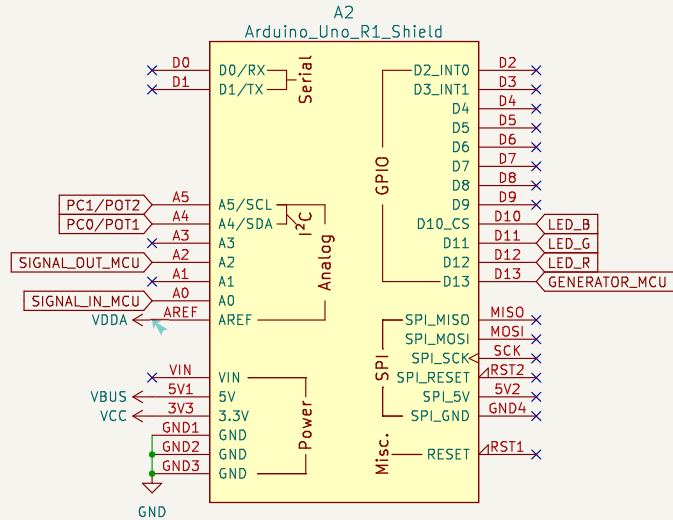
Size: A4 Date: 2023-09-23

KiCad E.D.A. kicad 7.0.6+dfsg-1

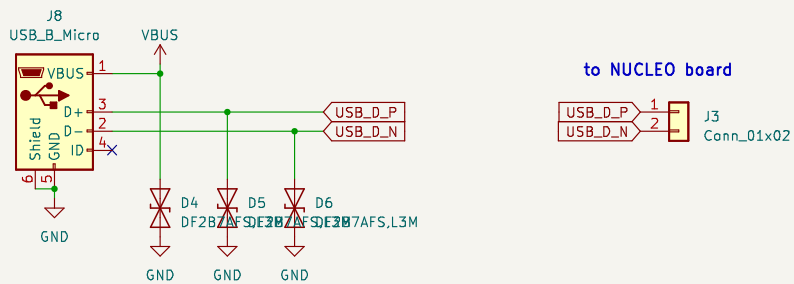
Rev: 2

Id: 3/5

Arduino shield connector

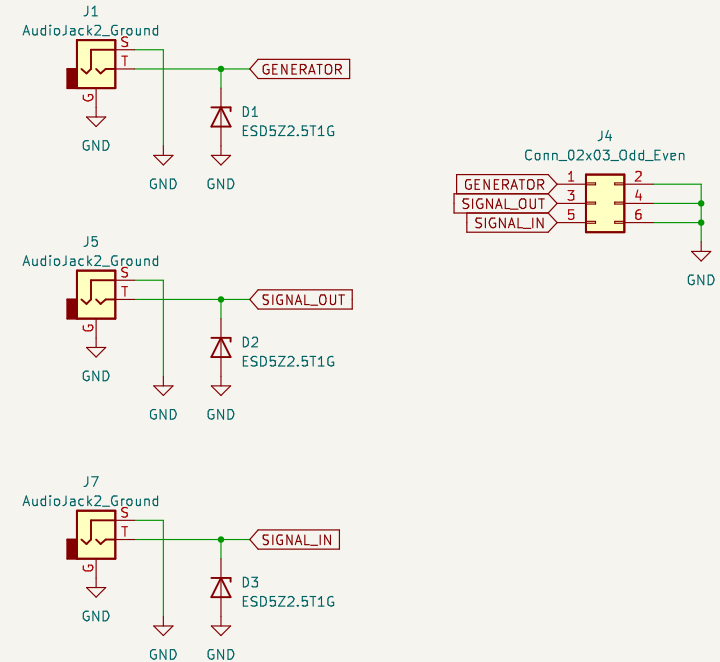


USB to host computer



External signal connectors

External signals are to be within +/- 2V.



Released under the CERN Open Hardware Licence Version 2 – Strongly Reciprocal
bitgloo

Sheet: /Board connectors/
File: board_connectors.kicad_sch

Title: DSP PAW add-on board

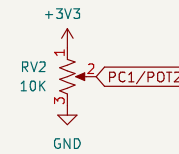
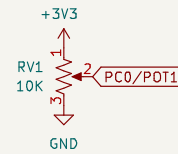
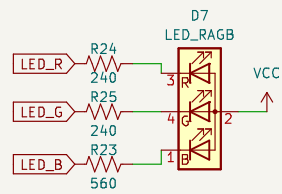
Size: A4 Date: 2023-09-23

KiCad E.D.A. kicad 7.0.6+dfsg-1

Rev: 2

Id: 4/5

Status LEDs and parameter knobs



Can substitute other resistances given component availability

Released under the CERN Open Hardware Licence Version 2 – Strongly Reciprocal
bitgloo

Sheet: /User IO/
File: user_io.kicad_sch

Title: DSP PAW add-on board

Size: A4 Date: 2023-09-23

KiCad E.D.A. kicad 7.0.6+dfsg-1

Rev: 2

Id: 5/5