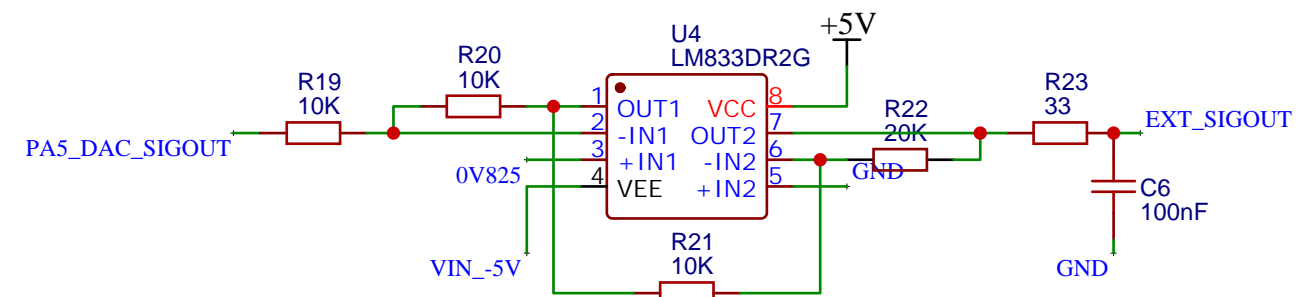
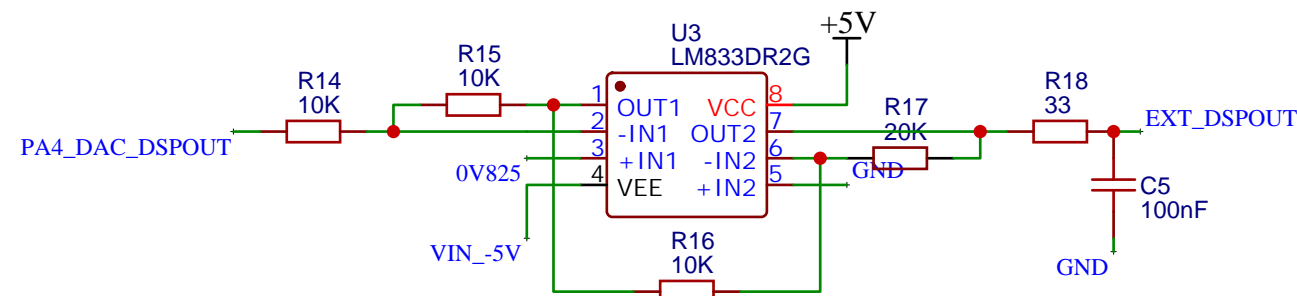
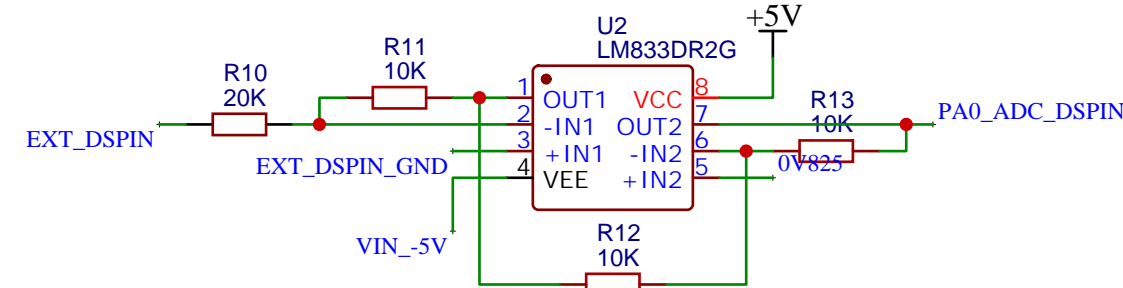
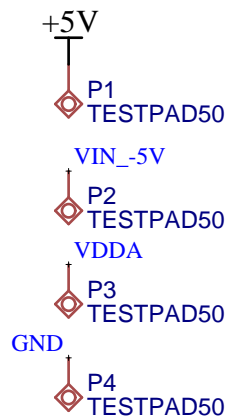
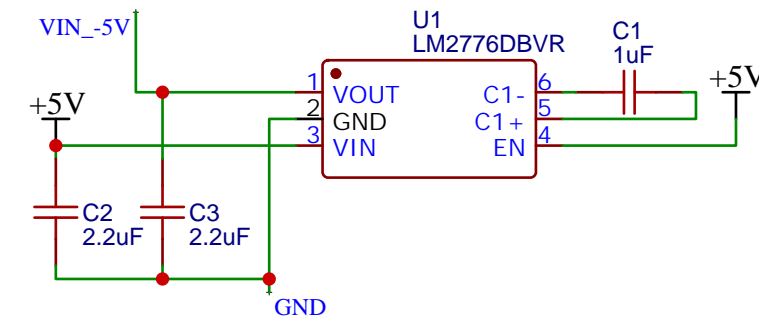
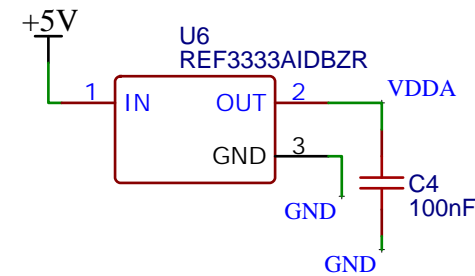
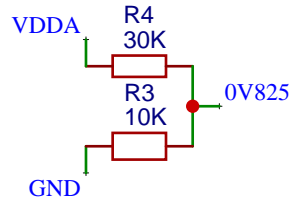
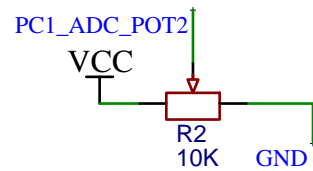
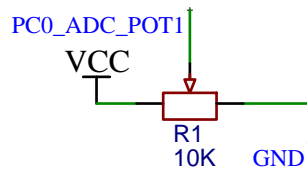
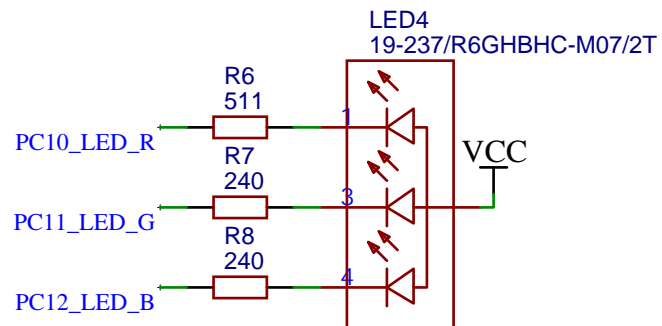
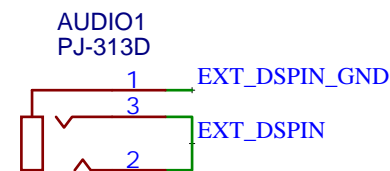
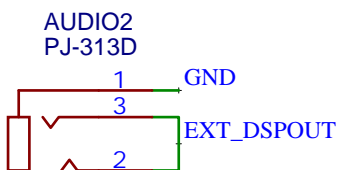
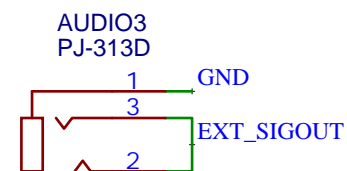
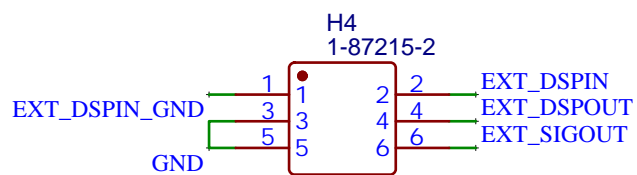
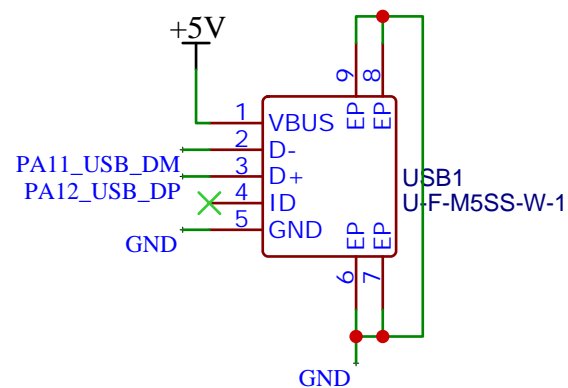
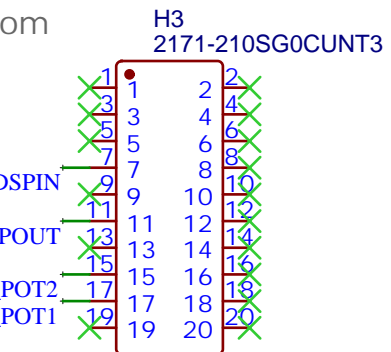


Placed on bottom



TITLE: stmdsp add-on board		REV: 2.0
EasyEDA	Company:	Sheet: 1/1
	Date: 2021-09-28	Drawn By: Clyne Sullivan